



odoni elwell

consult • design • manufacture • install

Galvanized and Stainless Steel **Cycle Parking**





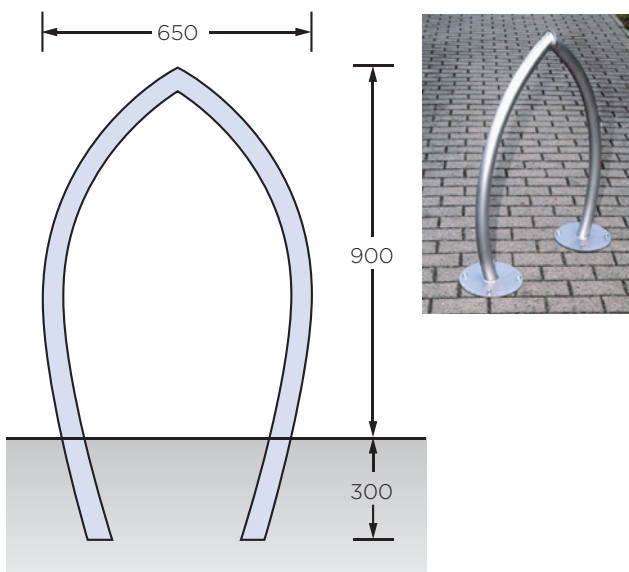
odoni elwell

consult • design • manufacture • install

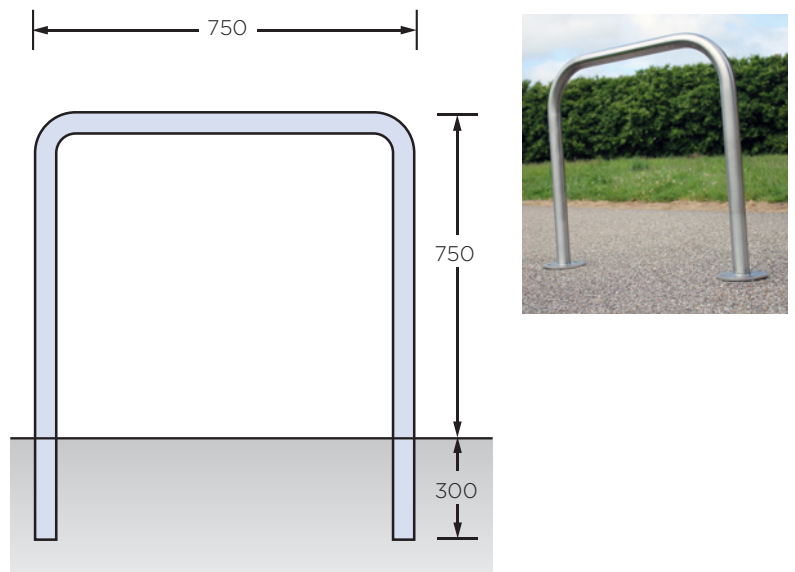
Galvanized and Stainless Steel Cycle Parking

- All Odoni Elwell cycle stands are available in either:
 - Galvanised Steel
 - Grade 304 stainless steel and brushed finish
- Powder coated finishes available in a full range of RAL colours. Plastic coated finishes also available
- Either base plate or root fixing.

Wishbone Stand



Sheffield Stand



Product Description	Width (mm)	Height (mm)	Weight (Kg)	Standard Finish
Wishbone	650	900	8	Galvanised/Stainless Steel/ Powder Coated
Sheffield	750	750	8	Galvanised/Stainless Steel/ Powder Coated

For options contact sales office. The dimensions are just guidelines and subject to variance.